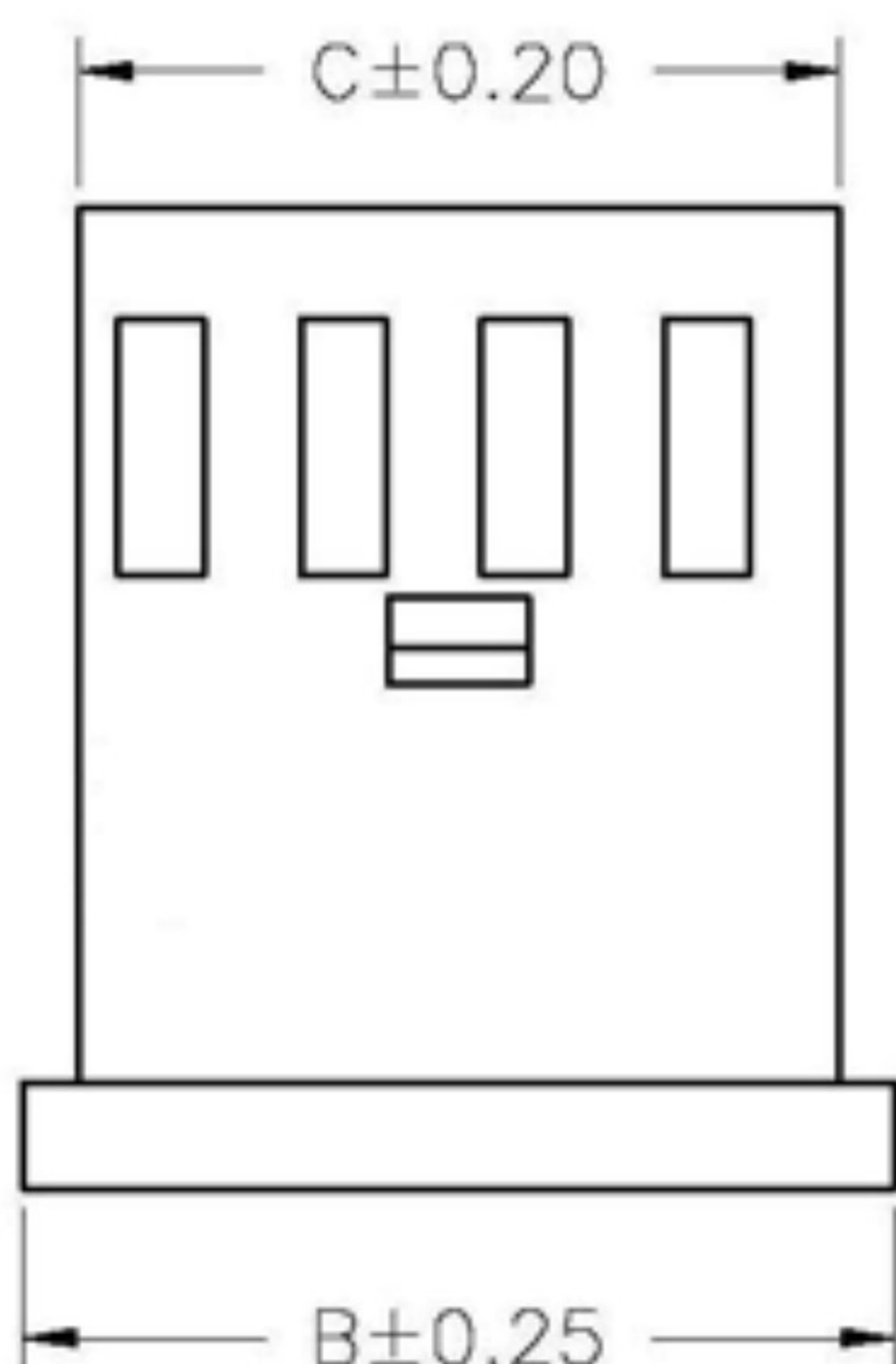
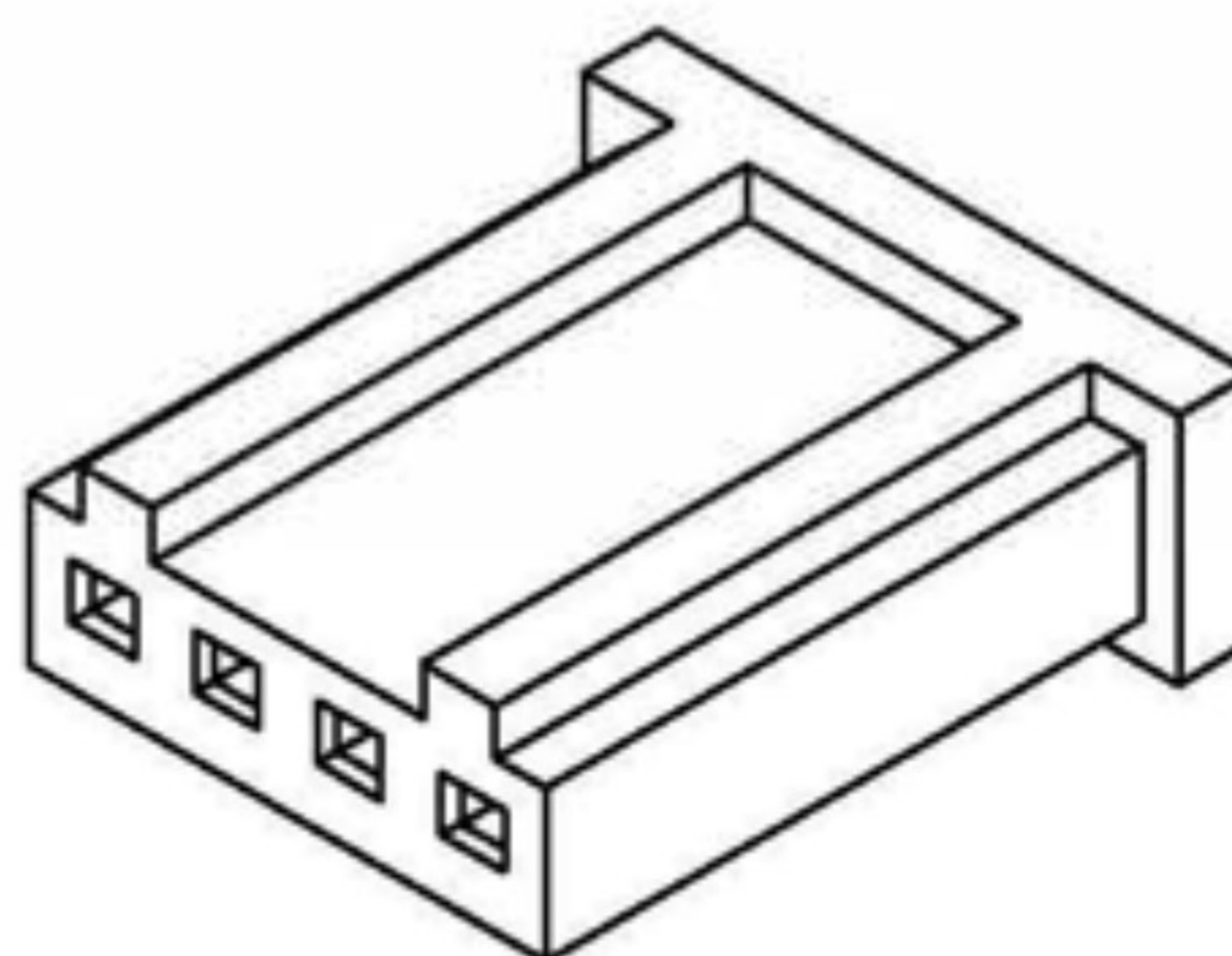
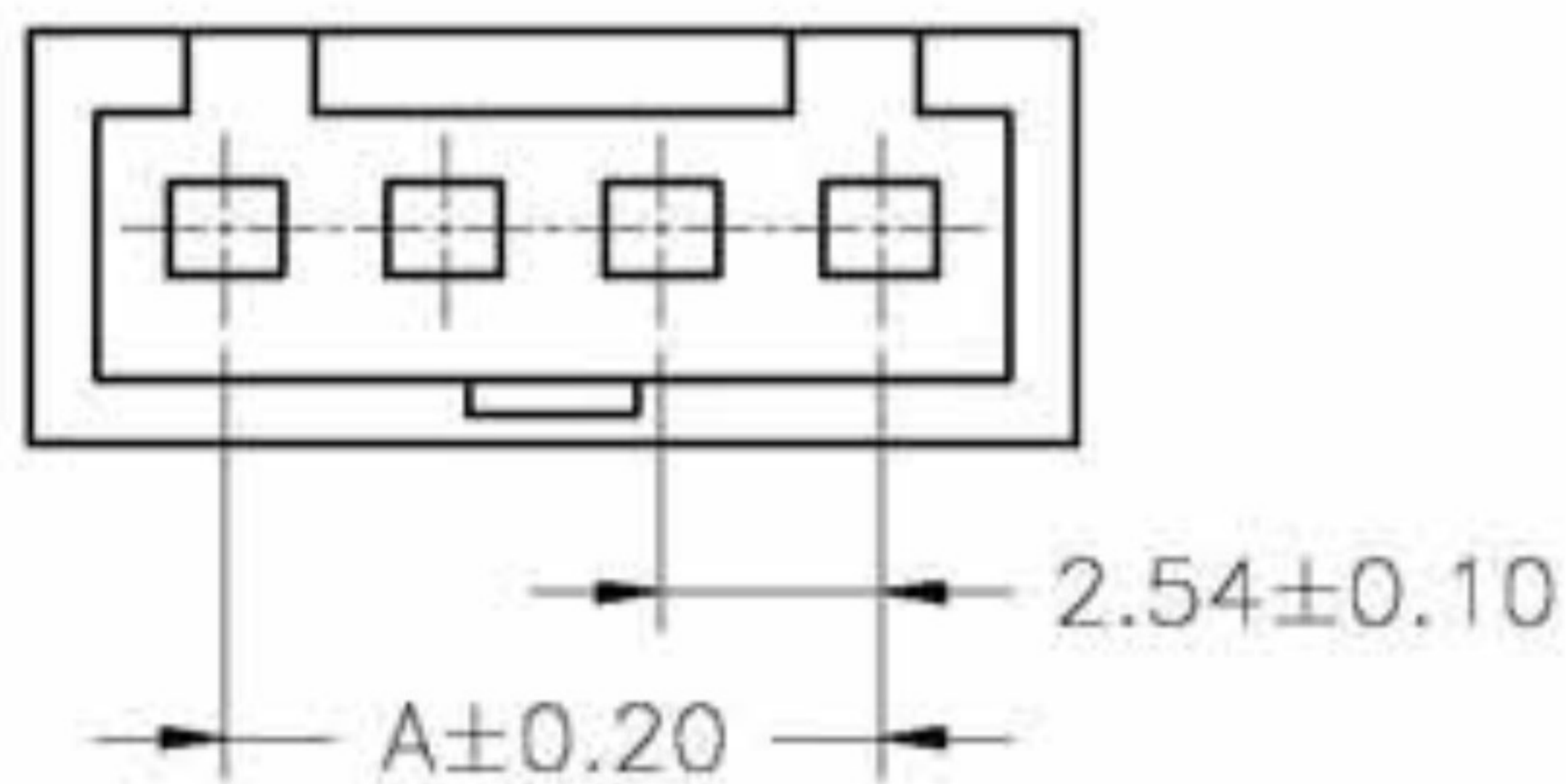
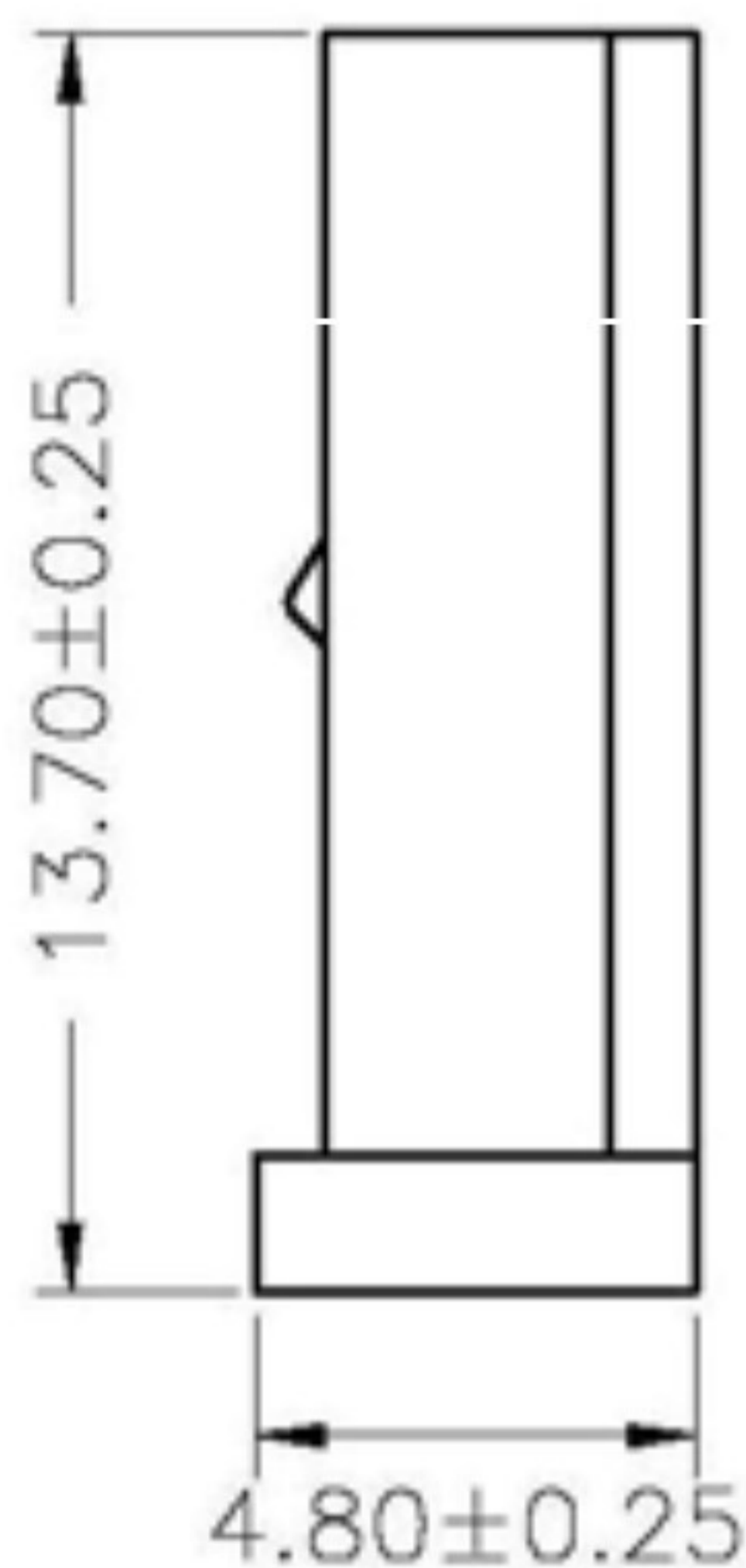


仅供参考



SPECIFICATIONS

Current Rating: 3A AC,DC
 Voltage Rating: 250V AC,DC
 Temperature Range: -25°C ~ +85°C
 Contact Resistance: 20mΩ Max
 Insulation Resistance: 1000MΩ Min
 Withstanding Voltage: 1000V AC/minute
 Material: PBT,UL94V-0
 Color: Natural(Black)



Ordering Information & Dimensions

PART NO.	Dimensions		
	A	B	C
A2543H-02P	2.54	7.10	5.60
A2543H-04P	7.62	12.20	10.60
A2543H-06P	12.70	17.30	15.70
A2543H-08P	17.78	22.30	20.80

GYA
Connectors

东莞市国亚电子有限公司
Dong Guan Guo Ya Connectors co., Ltd.

PART NO

A2543H-N

2.54mm Crimp Style connectors

APPROVED BY

DATE

SCALE

TOLERANCE

2007/04/04

4:1

.0 ±0.3

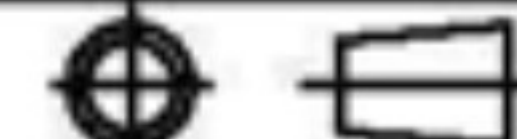
CHECKED BY

UNIT

VIEW

.00 ±0.2

mm



ANGLE

DRAWN BY

VER NO.

SIZE

.0 ±

D1

A4

.0 ±

A-011